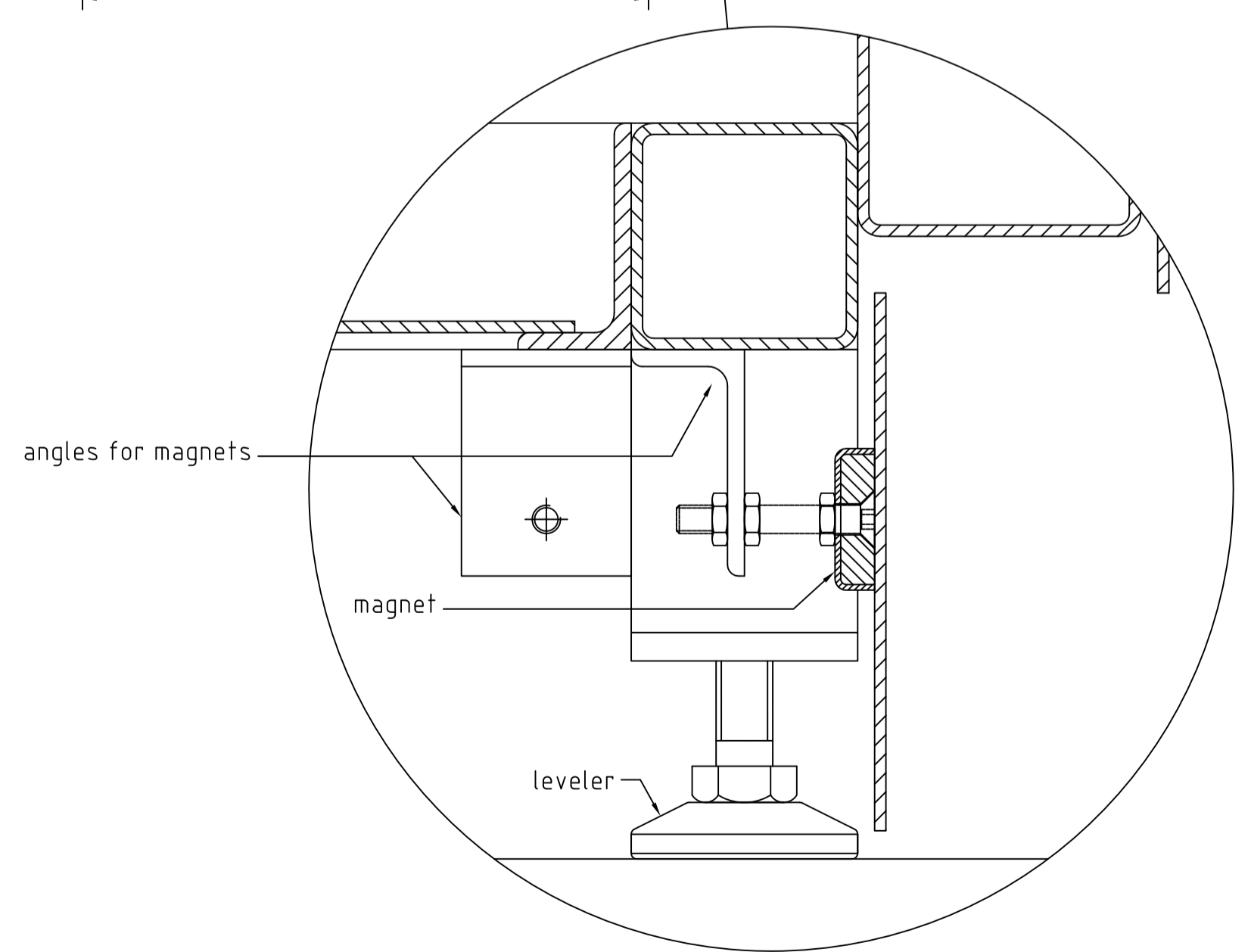
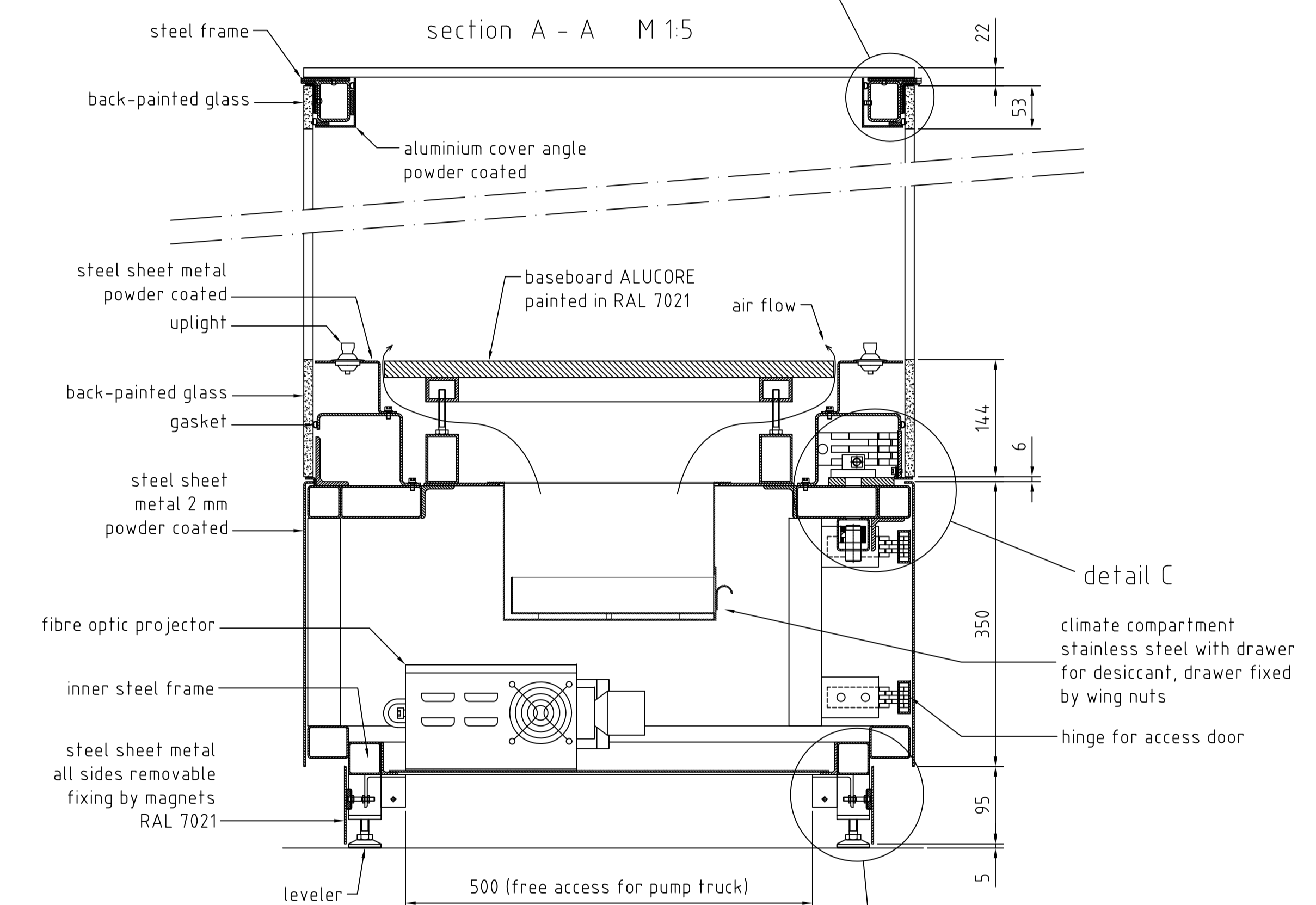
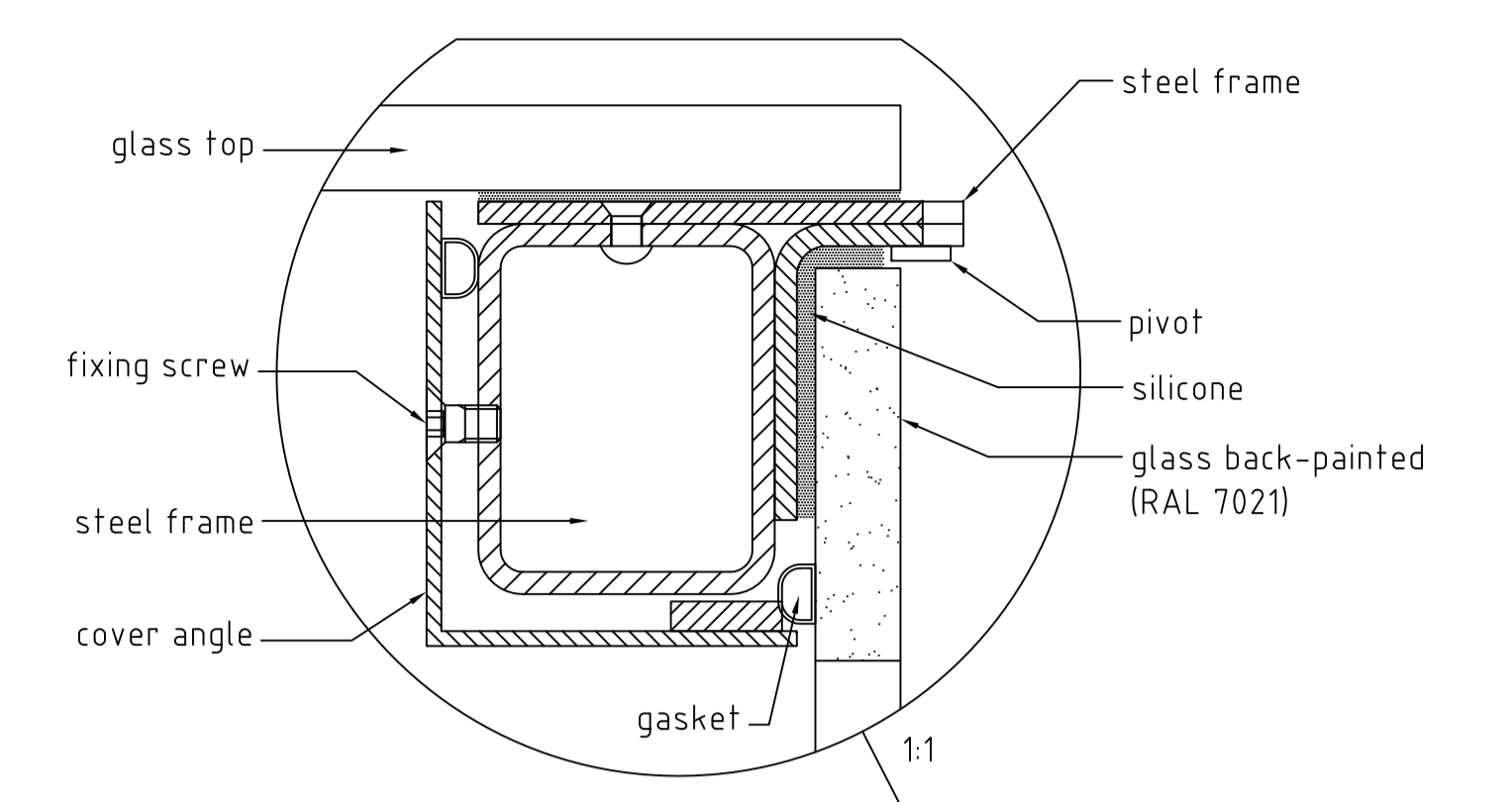
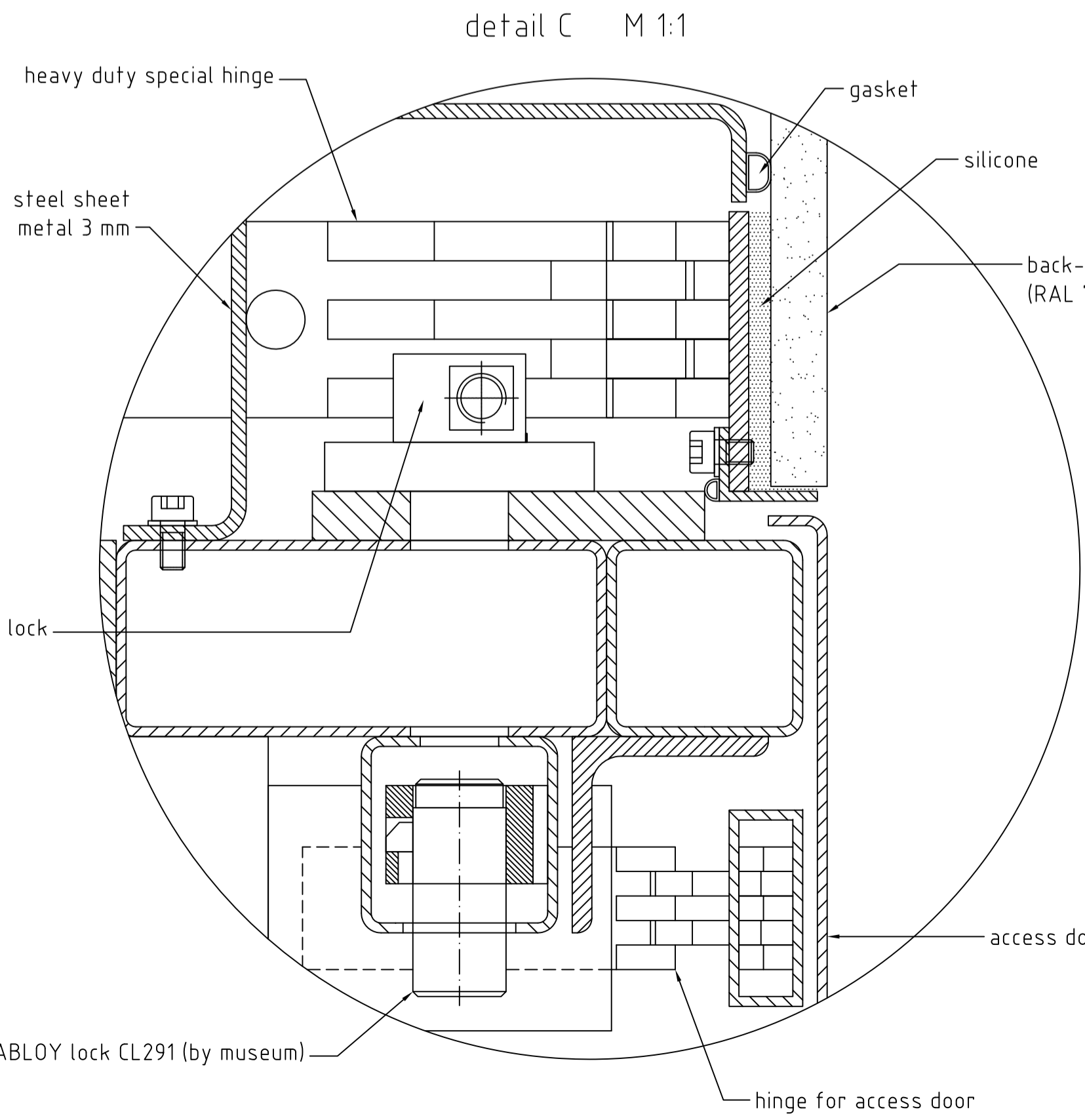
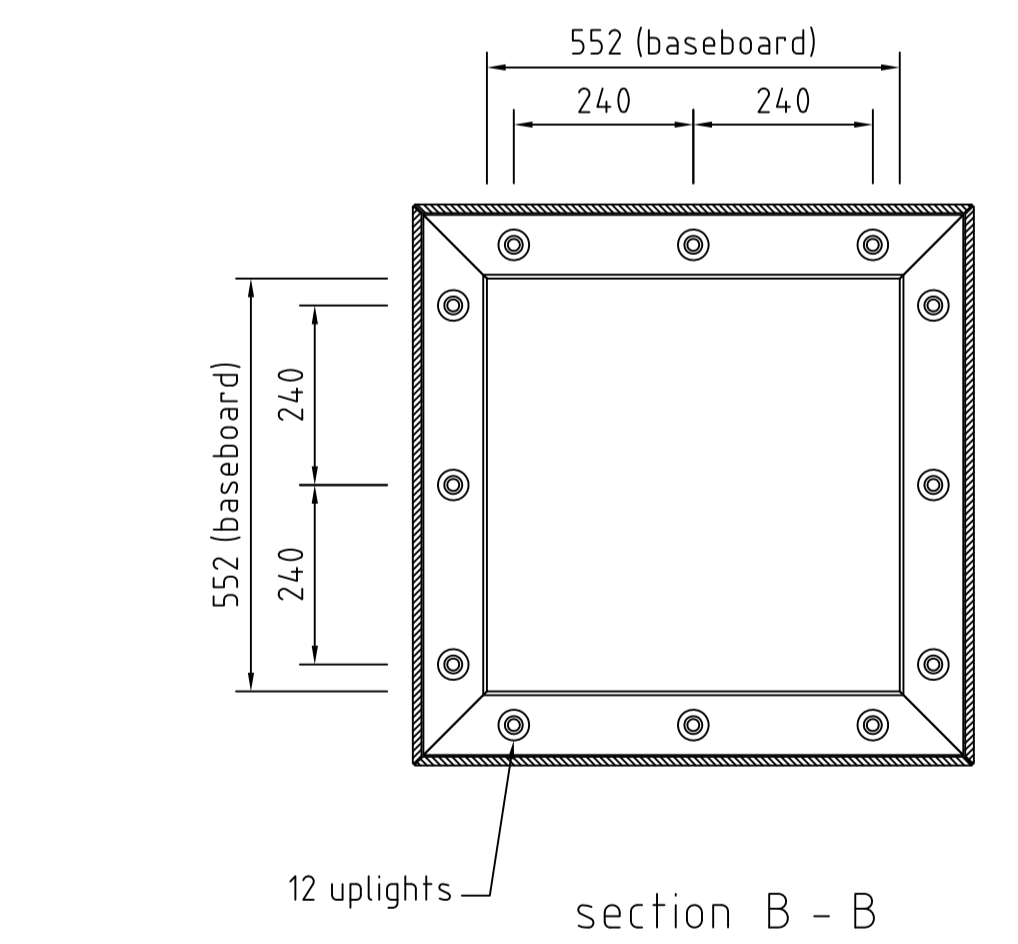
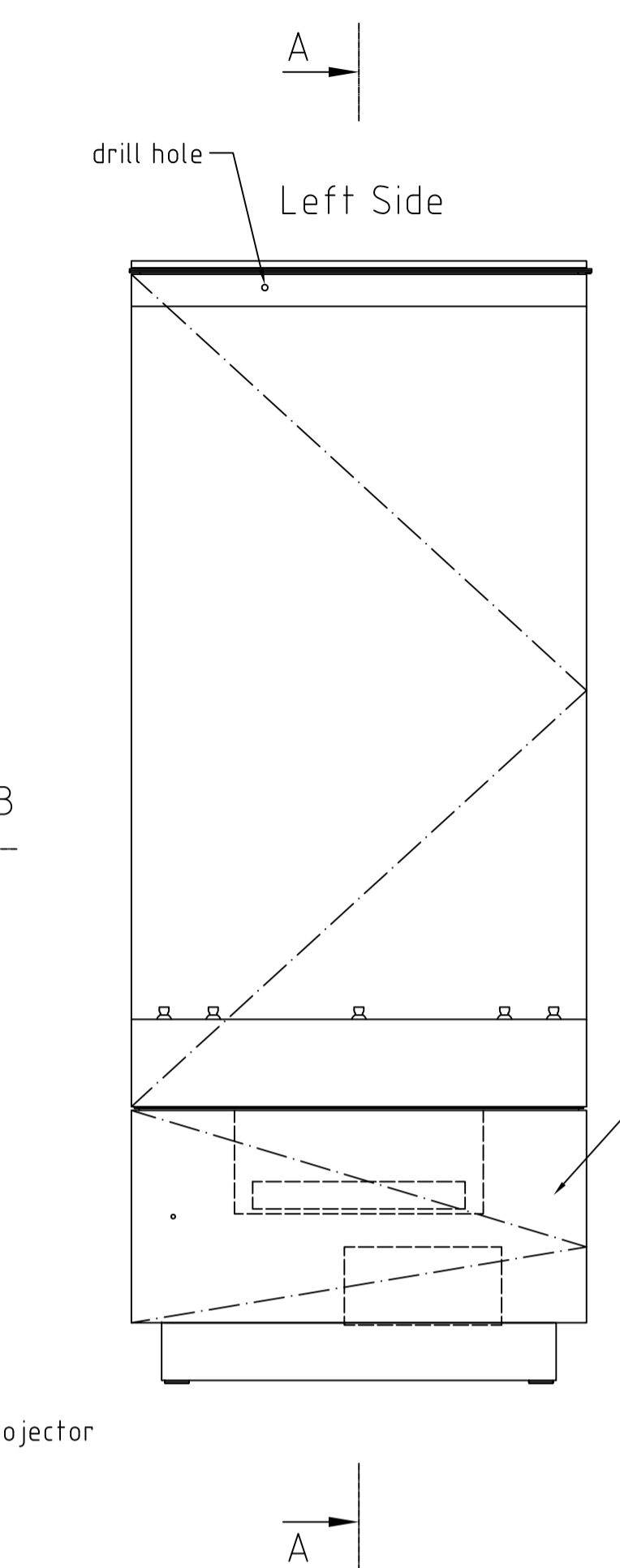
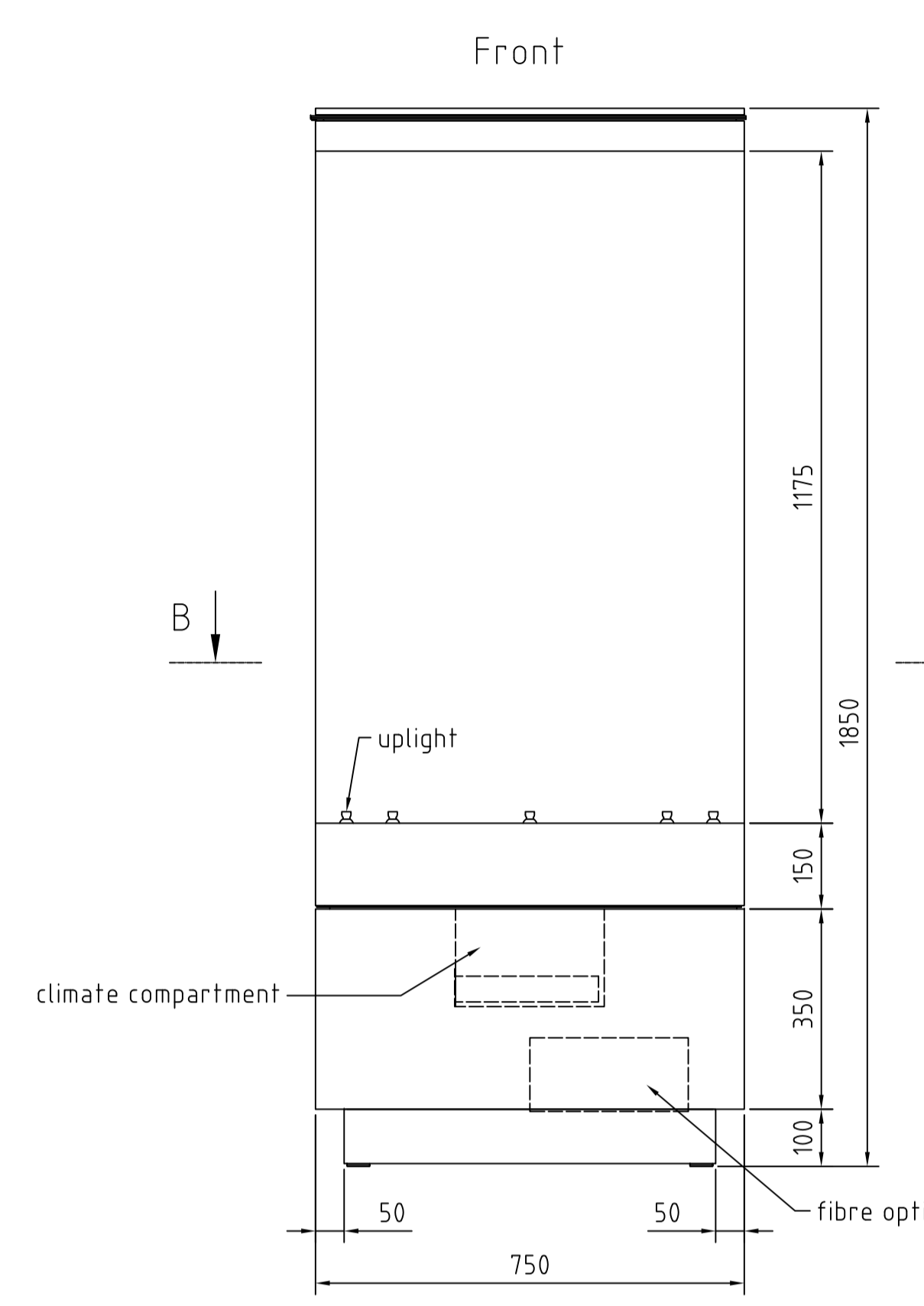
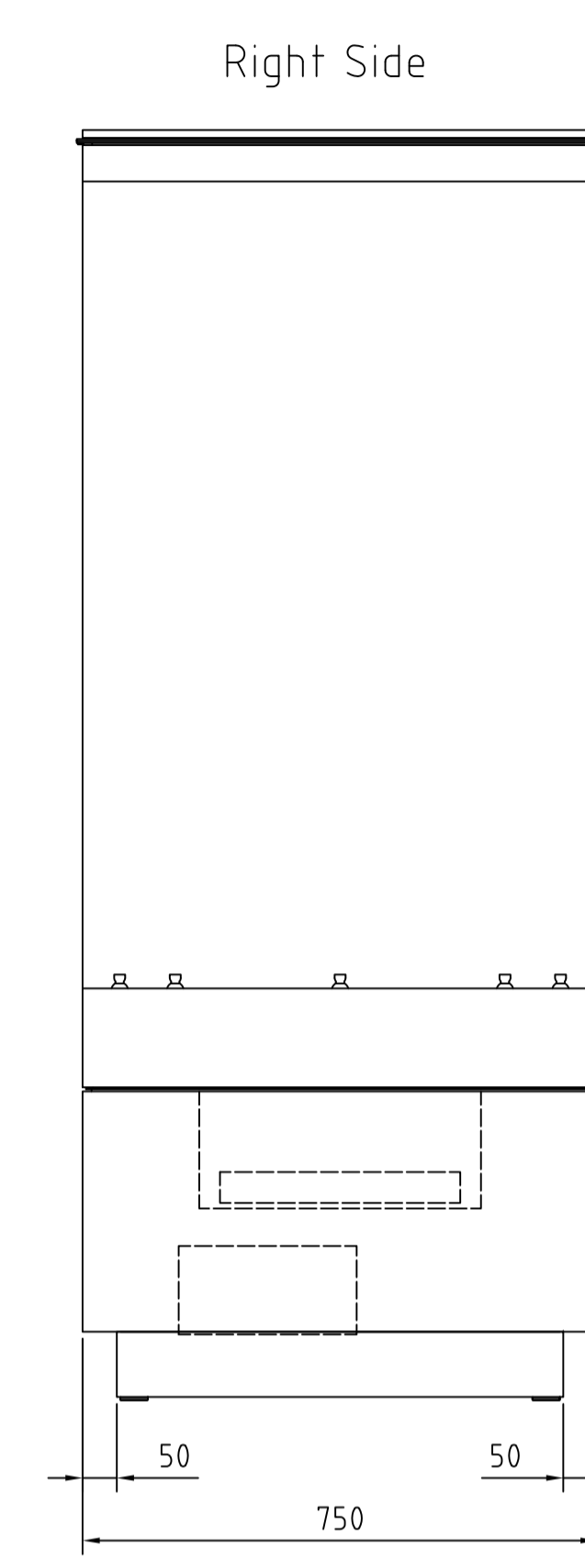


12 11 10 9 8 7 6 5 4 3 2 1



Note:
 glass: 11.5mm clear white laminated glass
 visible steel parts: RAL 7021 powder coated
 skirting: RAL 7021
 internal base board: RAL 7021
 Details for top lock and double ball catch are shown on drawing NMC HD 04-09 D01-1.

As built

Vitrinen- und Glasbau REIER GmbH J.-S.-Bach-Str. 10b D-02991 Lauta / Germany +49 (0) 35722 365-0 www.reier.com		Surface	Scale 1:10	Position	Quan: 2
REIER			NATIONAL MUSEUMS AT CHATHAM THE HISTORIC DOCKYARD		
Edir.	2010-02-09	Name	TEG Case Type 2 / Case P		
Cert.	Hennig		TOURING EXHIBITION GALLERY		
Copyright 190 16016 Copying of this document, and giving it to others and the use or communication of the contents thereof, are forbidden without express authority. Offenders are liable to the payment of damages. All rights are reserved in the event of the grant of a patent or the registration of a utility model or design.			NMC HD 04-09 400-1		
ck.by	Revisions	Date	Name	File: case P	Sheet No.

12 11 10 9 8 7 6 5 4 3 2 1