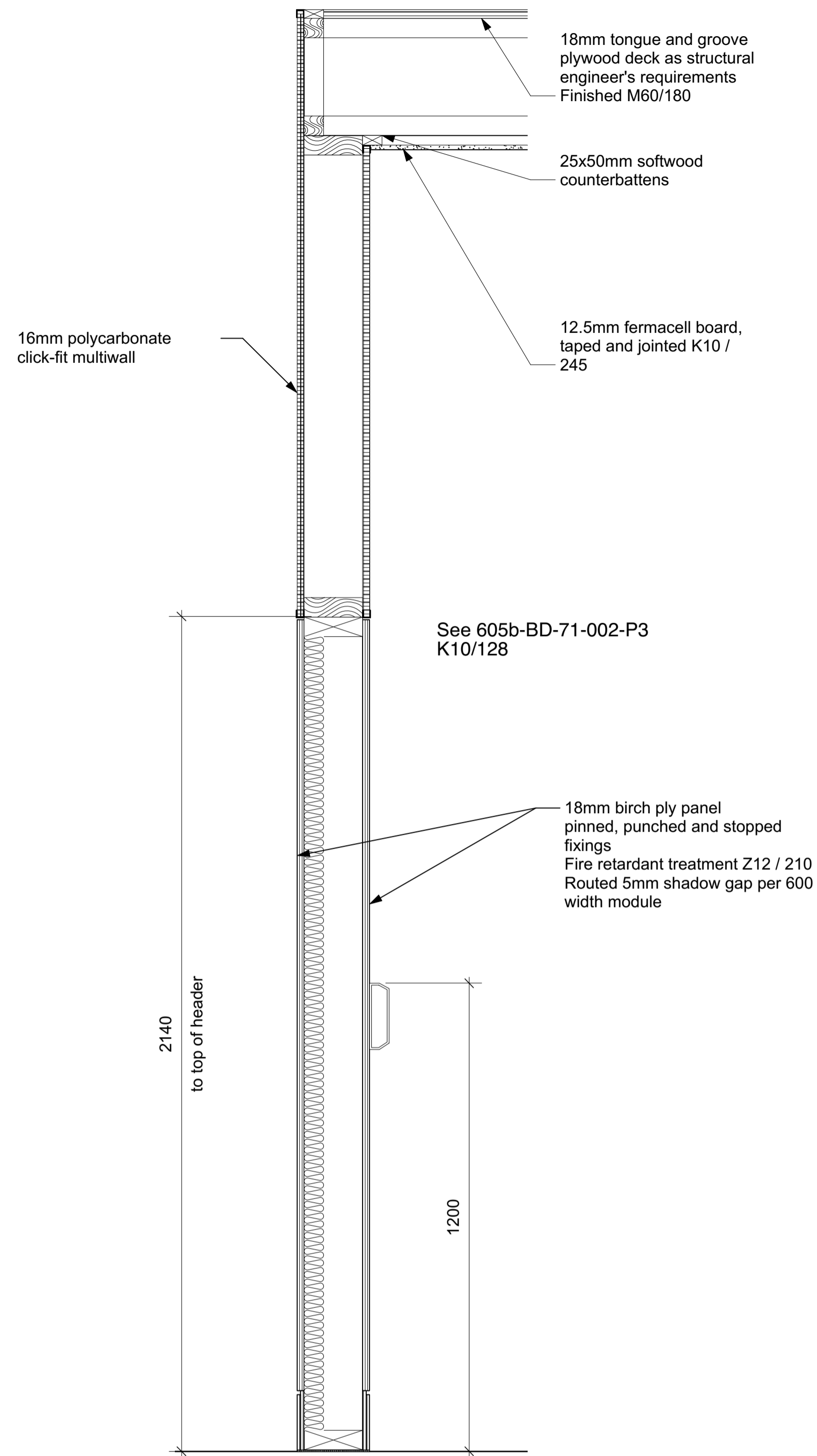
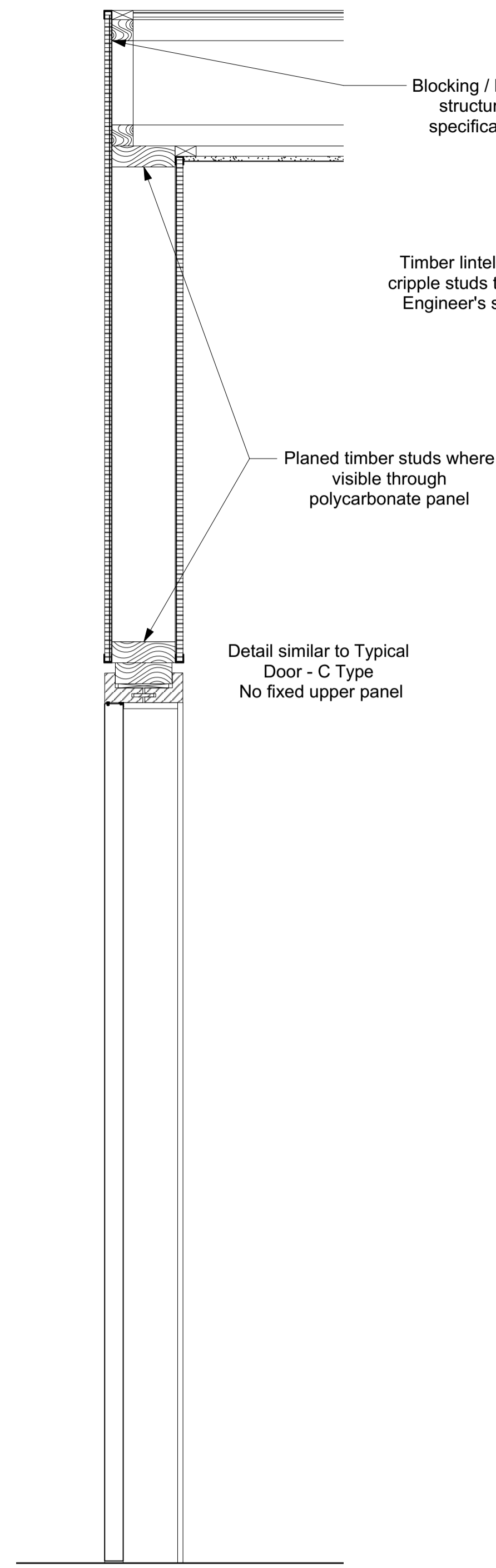


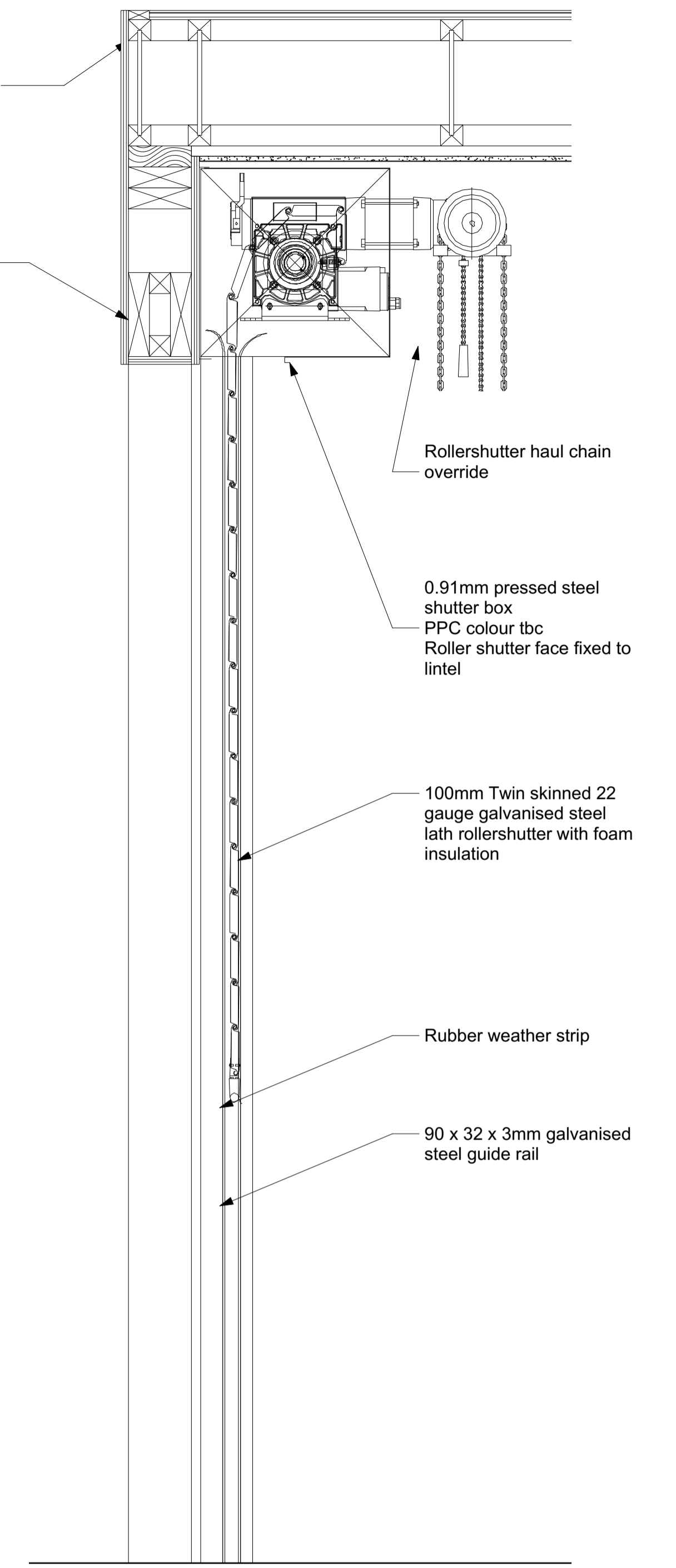
1 HL Plan - Polycarbonate / Roller Shutter
Scale: 1:10



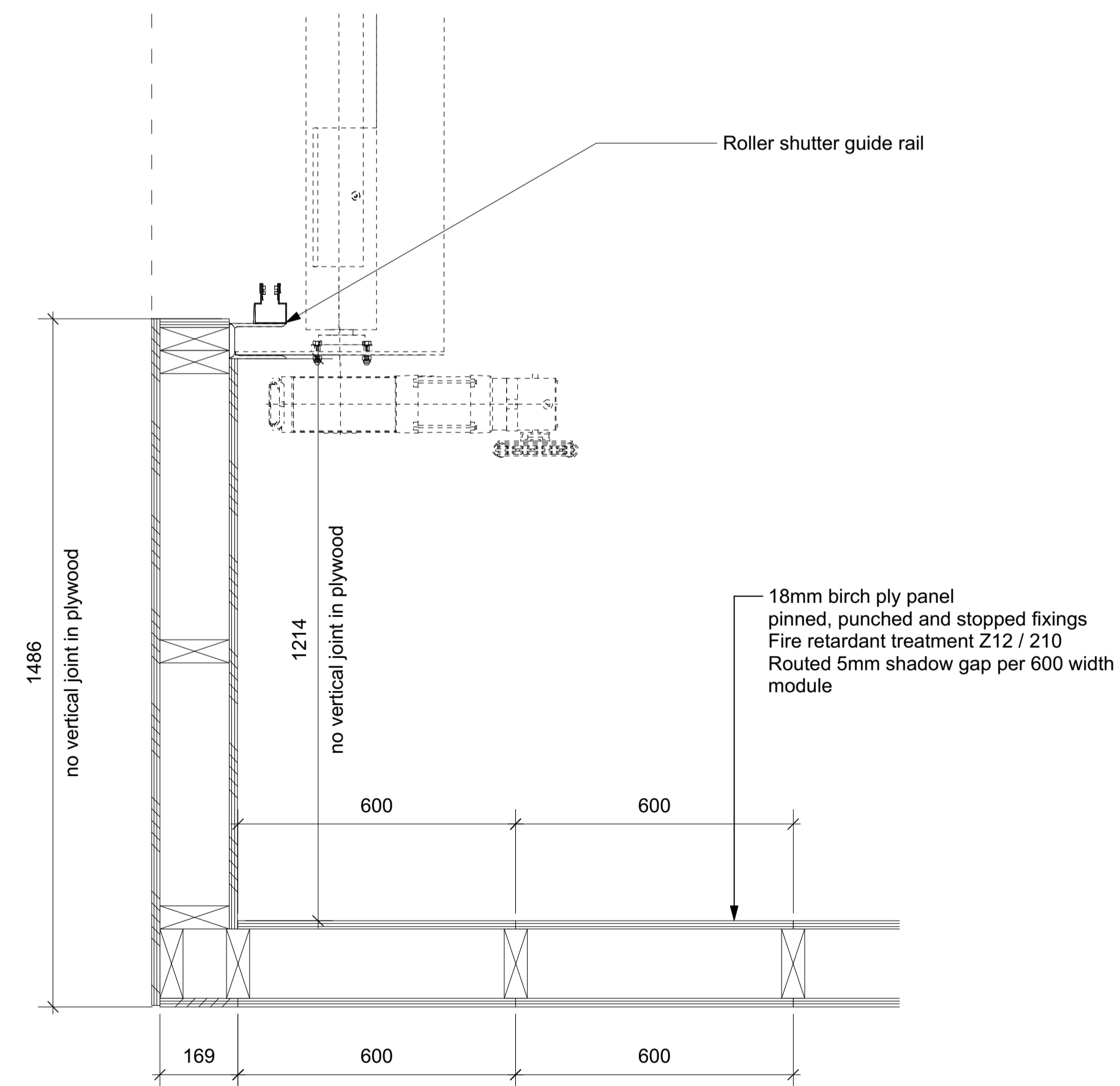
3 Section through Wall
Scale: 1:10



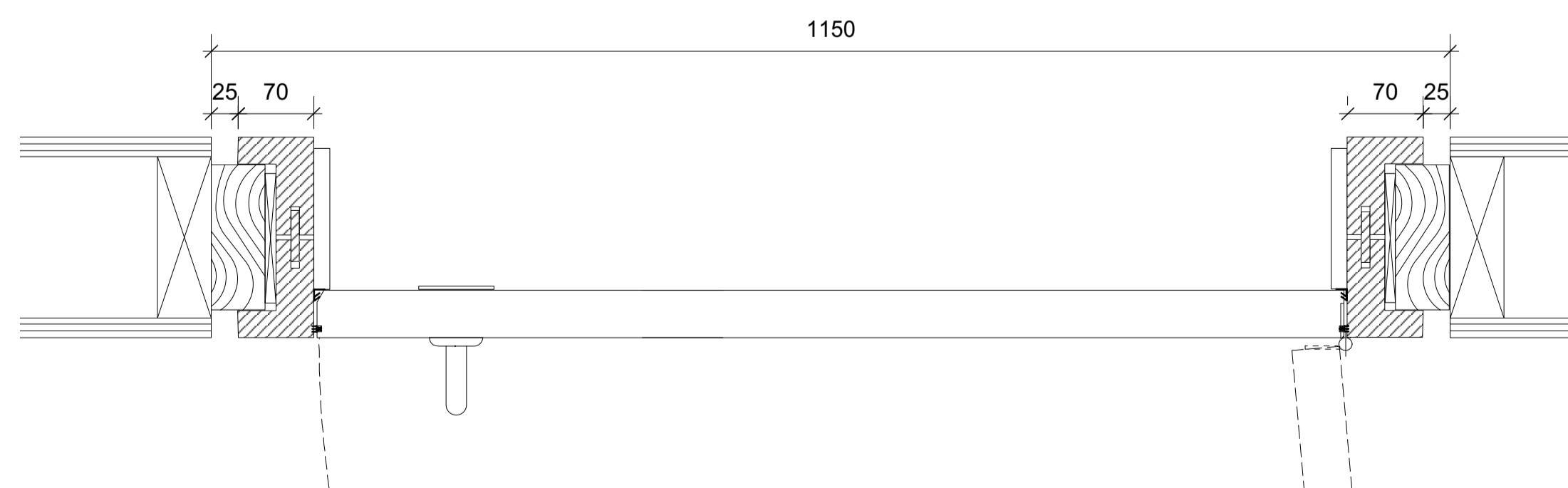
4 Section through Personnel Doorway
Scale: 1:10



5 Section through roller shutter opening
Scale: 1:10



2 LL Plan - Birch ply panelling
Scale: 1:10



6 D-G13-03 Detail
Scale: 1:5

P03 20.04.2021	ST	Corner post revisions - issued for tender	
P02 18.03.2021	ST	Vision panel to doors	
P01 02.11.2020	ST	Issued for Tender	
No.	Date	By	Comments
Revisions			

TENDER
Drawing Status

**NATIONAL MUSEUM OF THE ROYAL NAVY
HISTORIC SHIPS WORKSHOP**
Dannatt, Johnson Architects
Unit 1 The Wireworks, 77 Great Suffolk Street, London SE1 0BU
Telephone (020) 7357 7100 Fax (020) 7357 7200

Drawing Title
Laminating Cabin

Drawing Number
605b-BD-75-001

Drawn	Checked	Scale	Date	Revision
ST	DJ	1:20@A1	Oct 2020	P03