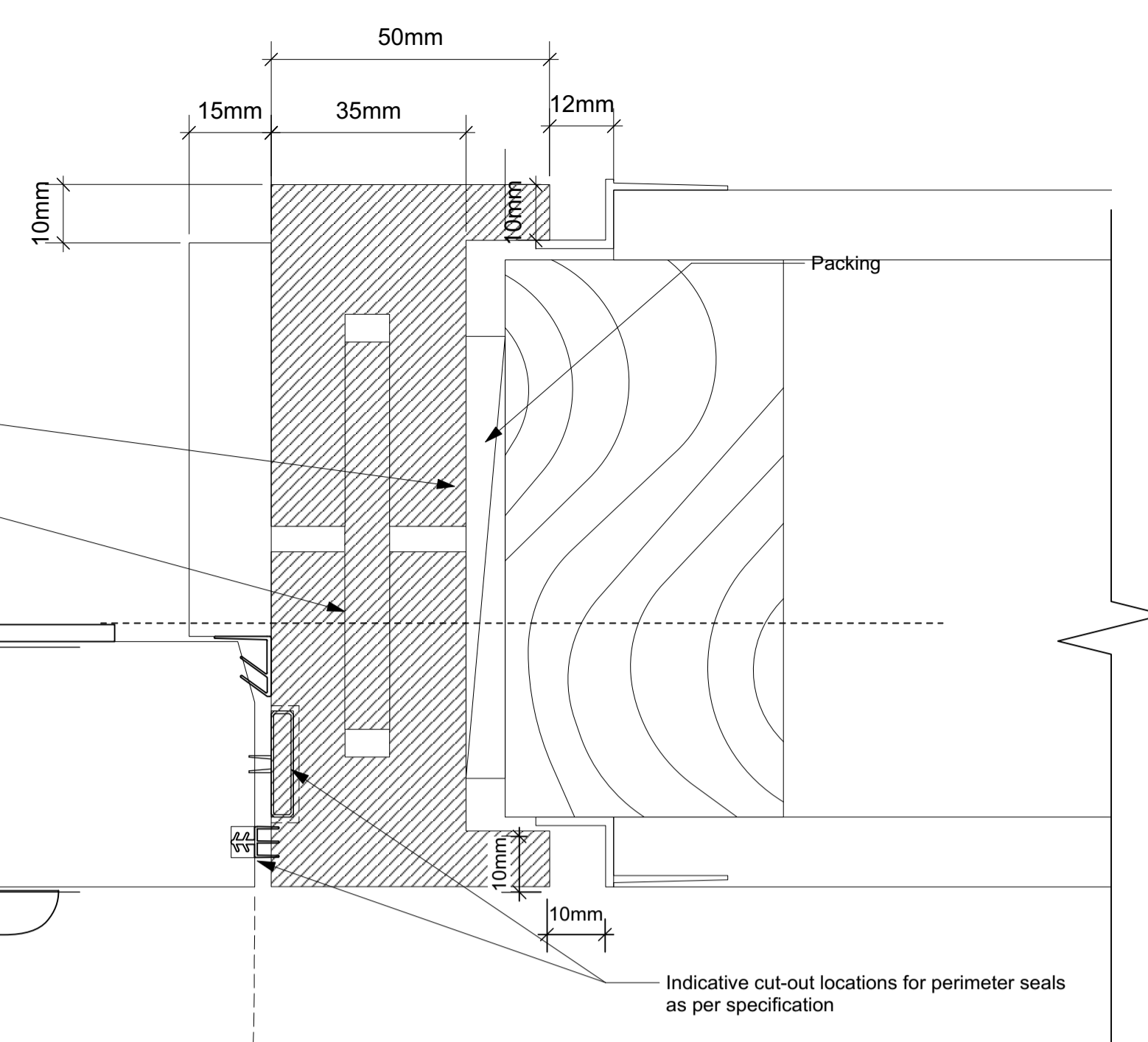
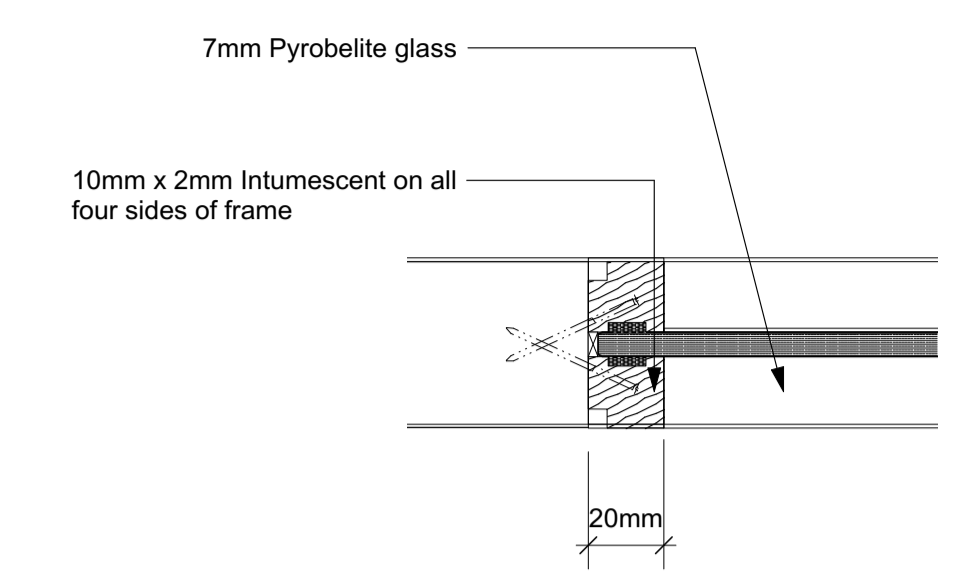


1 Typical Jamb (Hinge) Detail (Up to FD30s) in new stud wall
Scale: Actual Size

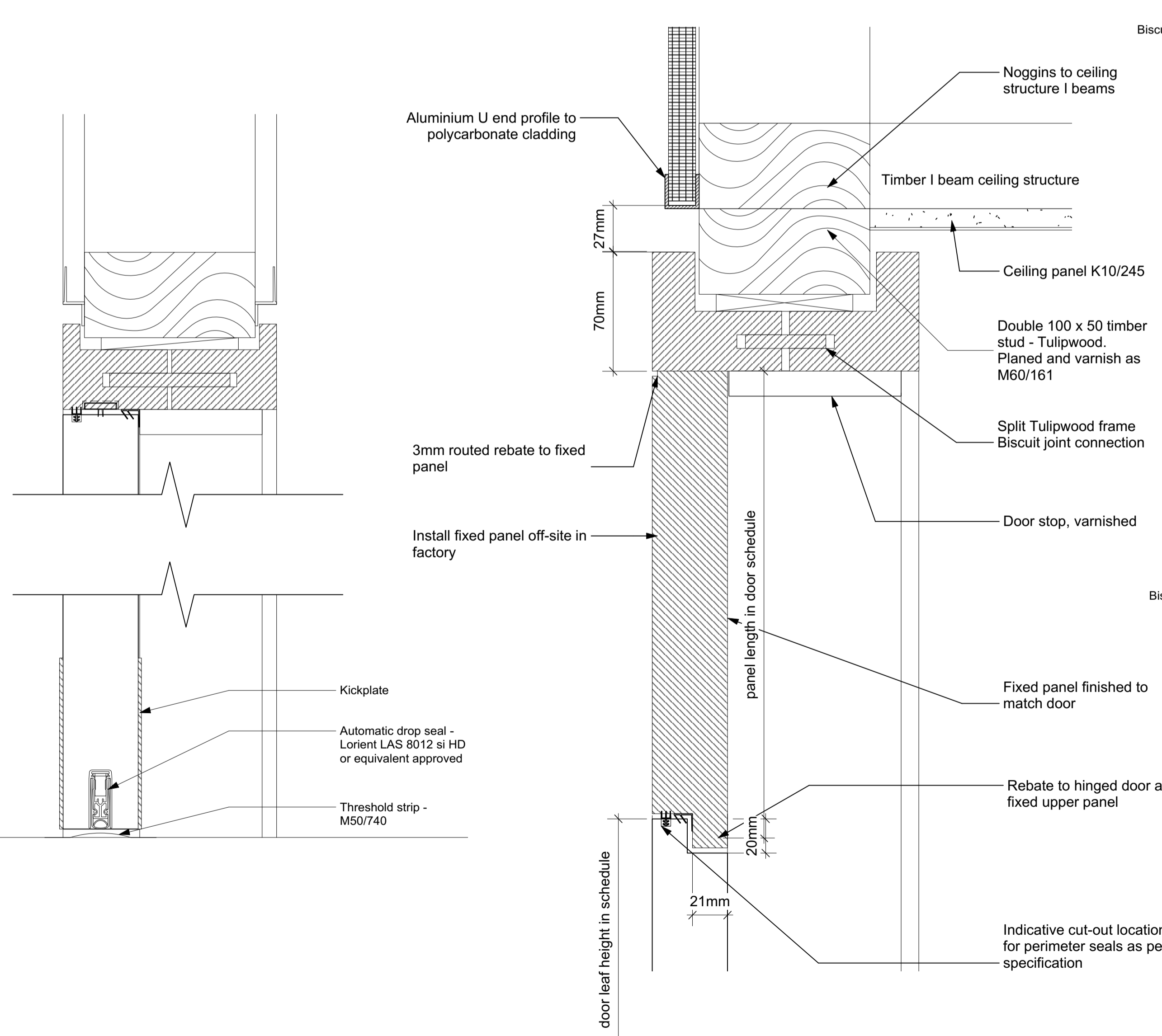


2 Typical Jamb Detail - in new stud wall
Scale: Actual Size

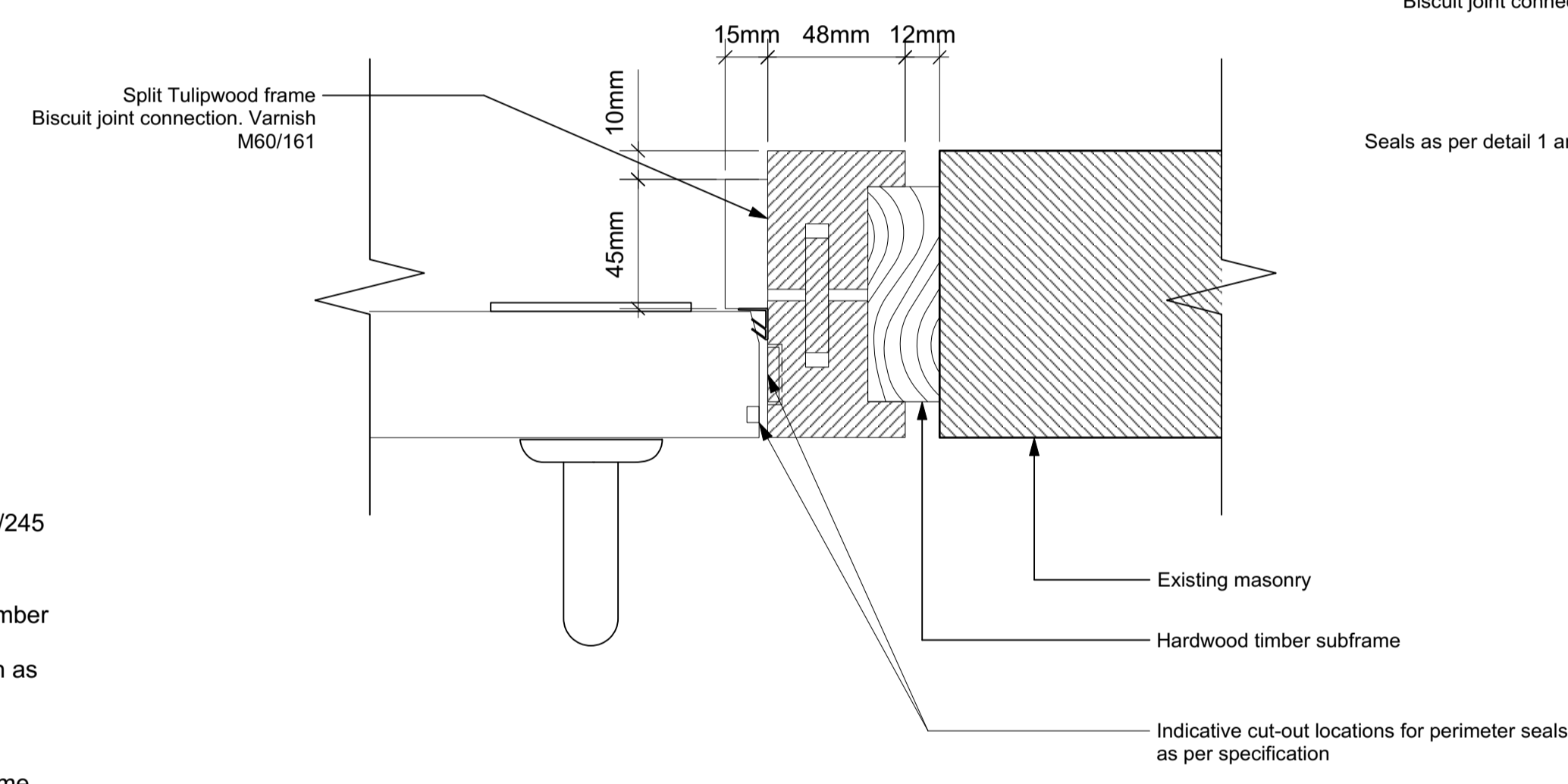


3 Vision panel detail
Scale: Half Actual Size

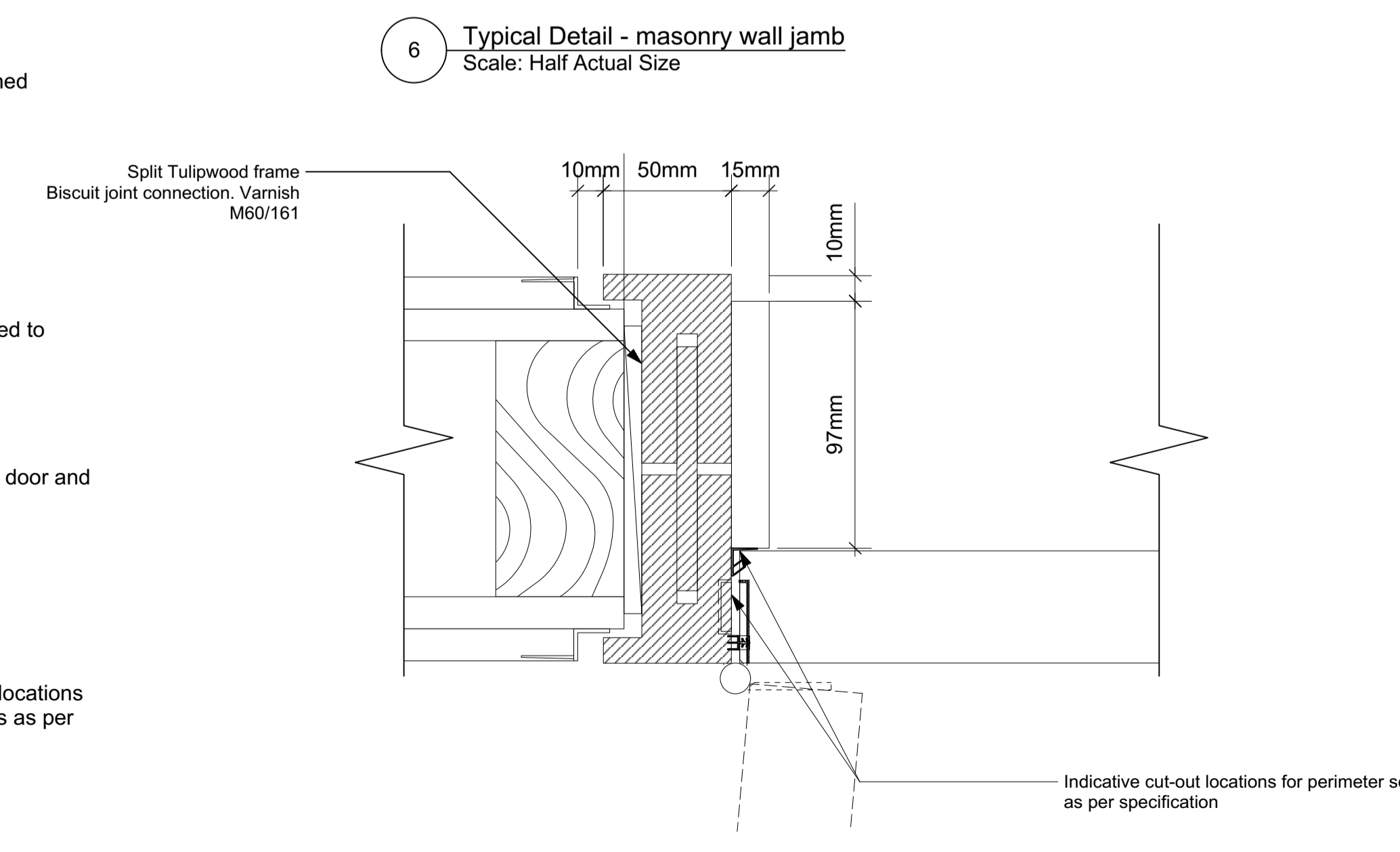
NOTE
Position of seals shown indicatively
Final seals and locations to be confirmed
with door manufacturer



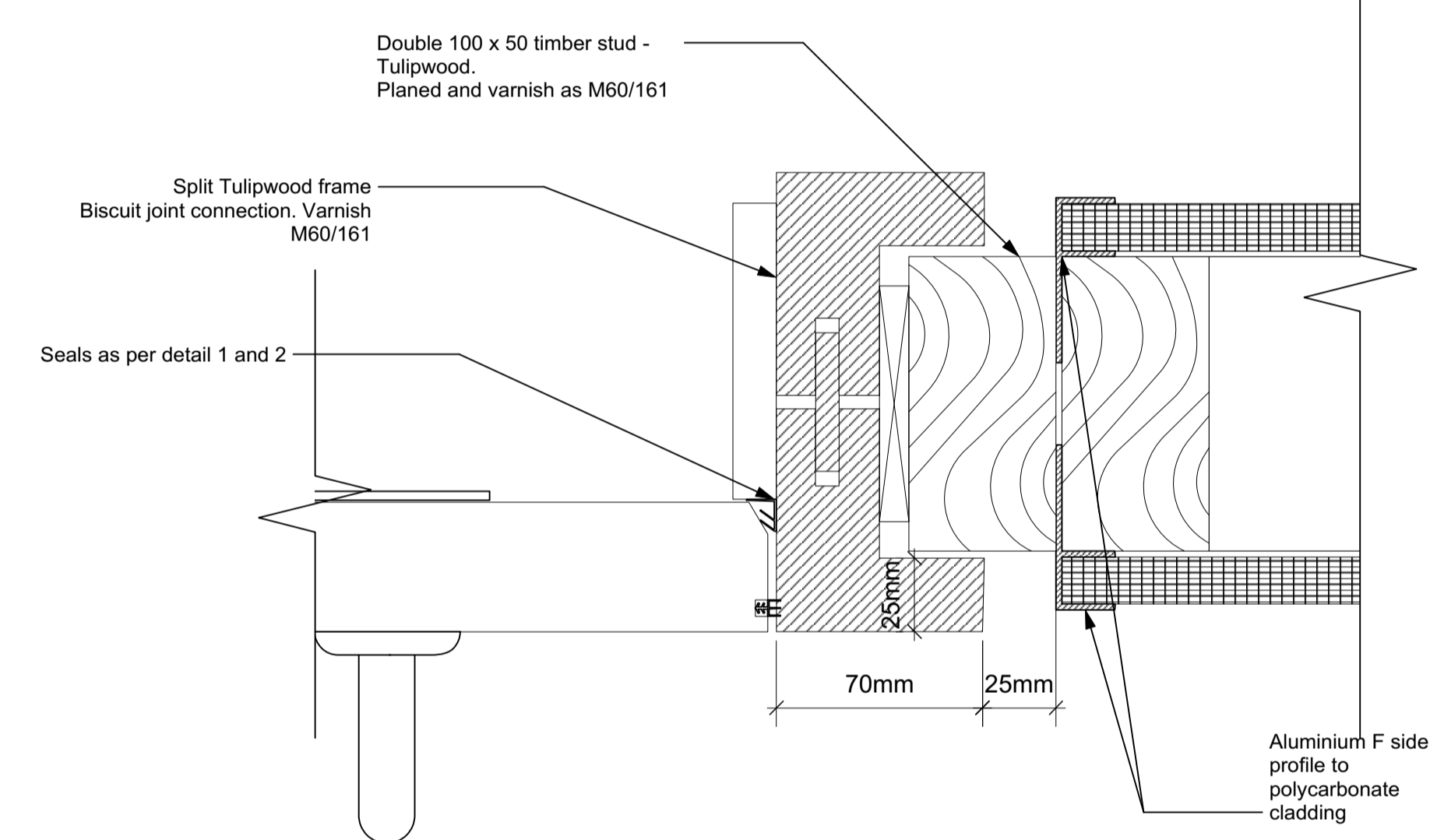
4 Door head and Floor detail
Scale: Half Actual Size



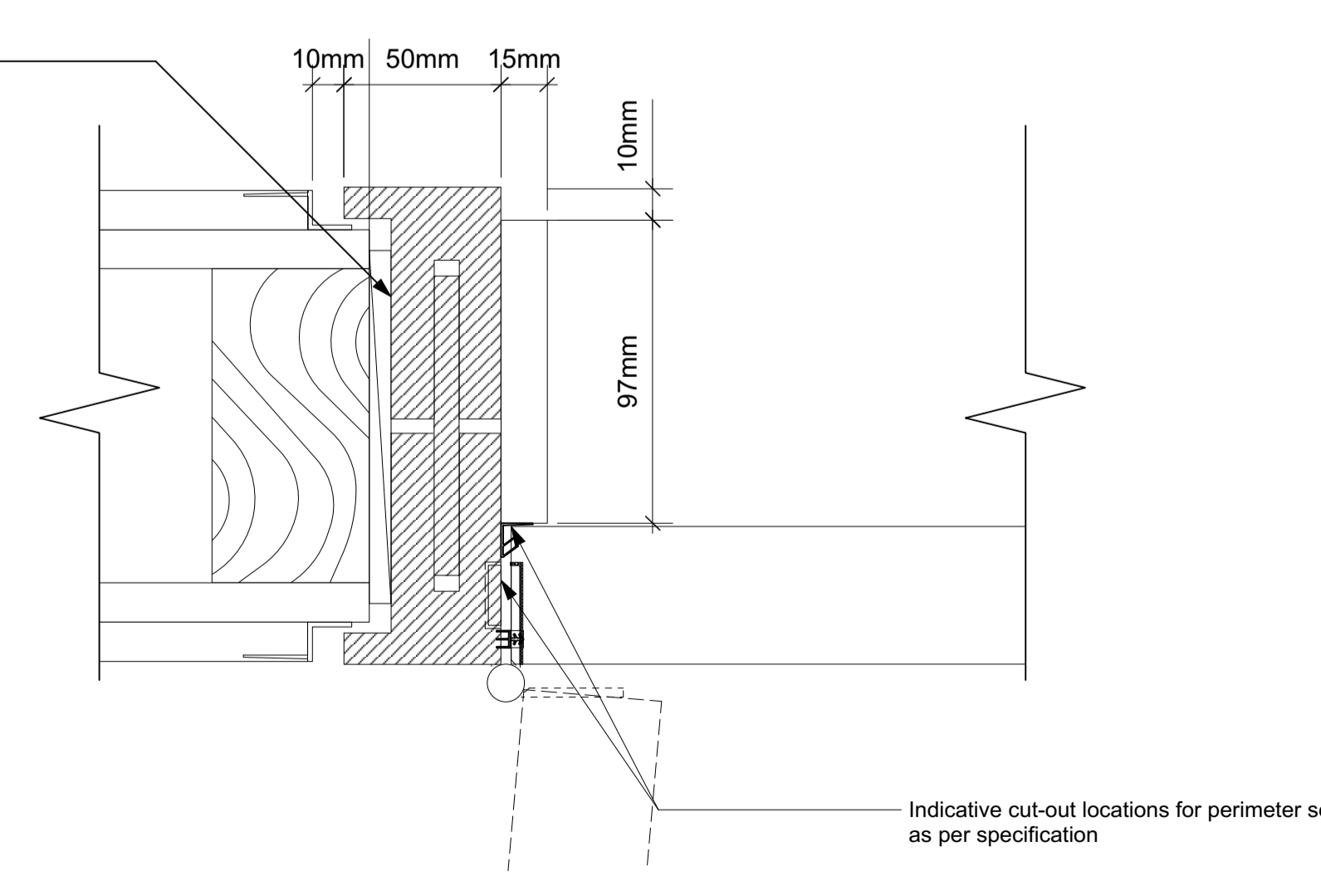
5 Door Type D - Head Detail
Scale: Half Actual Size



6 Typical Detail - masonry wall jamb
Scale: Half Actual Size



7 Typical Detail - Polycarbonate wall jamb
Scale: Half Actual Size



8 Typical Detail - Type D FD30 Stair wall
Scale: Half Actual Size

P02	20.04.2021	ST	Reissued for tender
P01	02.11.2020	ST	Issued for Tender
No.	Date	By	Comments
Revisions			

TENDER
Drawing Status

**NATIONAL MUSEUM OF THE ROYAL NAVY
HISTORIC SHIPS WORKSHOP**
Dannatt, Johnson Architects
Unit 1 The Wireworks, 77 Great Suffolk Street, London SE1 0BU
Telephone (020) 7357 7100 Fax (020) 7357 7200

Drawing Title
Typical Door Details - for new stud walls

Drawing Number
605b-BD-72-002

Drawn	Checked	Scale	Date	Revision
ST	DJ	1:10@A1	Oct 2020	P02